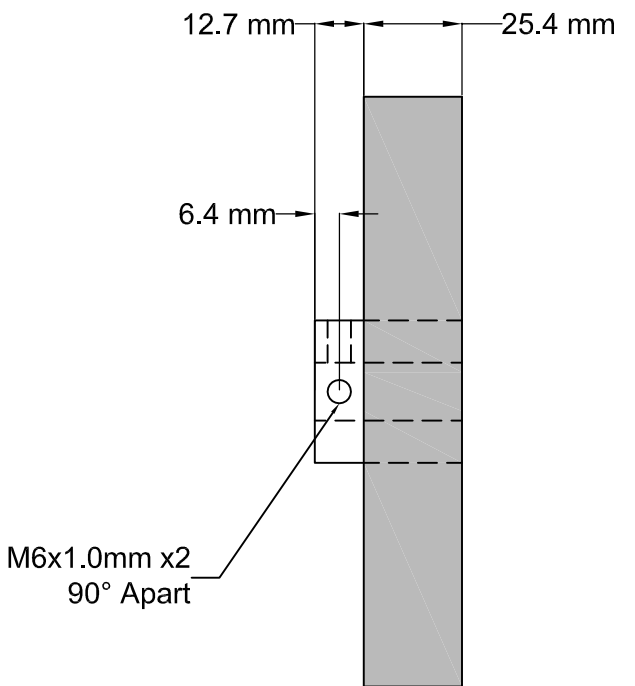
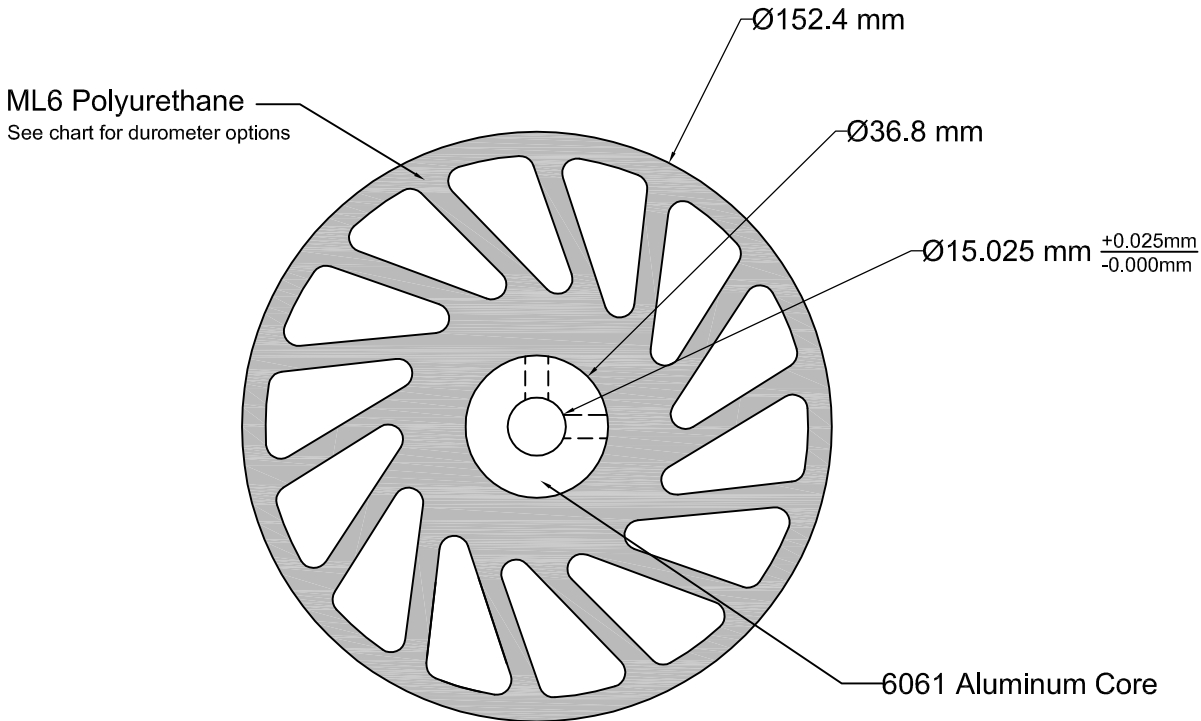


| REVISIONS | | | |
|-----------|-------------|------|----------|
| LTR | DESCRIPTION | DATE | APPROVED |
| | | | |



| Durometer Options | |
|--|-------------------------|
| Replace XXX in Part Number with 3 letter durometer code from options below. | |
| 40A = 40 SHORE A | 80A = 80 SHORE A |
| 55A = 55 SHORE A | 90A = 90 SHORE A |
| 70A = 70 SHORE A | |



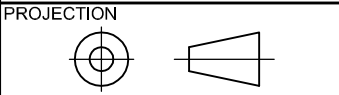
**MERIDIAN
LABORATORY**

2415 Pleasant View Rd. Middleton, WI 53562
(608) 836-7571 MeridianLab.com

This drawing is proprietary to Meridian Laboratory Inc. and may not be copied, disclosed, or distributed without explicit written permission. Design subject to change without notice.

UNLESS OTHERWISE SPECIFIED,
DIMENSIONS ARE IN INCHES AND
TOLERANCES ARE:

| | | |
|-----------|-------------|--------|
| FRACTIONS | DECIMALS | ANGLES |
| ±1/16 | .X ± .1 | ±1/2° |
| | .XX ± .01 | |
| | .XXX ± .005 | |



| | |
|-----------------------|----------------|
| APPROVALS | DATE |
| DRAWN AG | 2/8/23 |
| CHECKED VRN | 2/23/23 |
| APPROVED | |

| | | | |
|---|------------------|------------------------|-----------------|
| TITLE 152.4mm x 25.4mm ML6 NO-CRUSH WHEEL | | | |
| PART NO. NCWM-560-XXX | | | |
| MATERIAL 6061 AL & ML6 PU OVERMOLD | | | |
| SCALE 2:1 | REV. - | SHEET 1 of 1 | ML6 CUST. BLOCK |