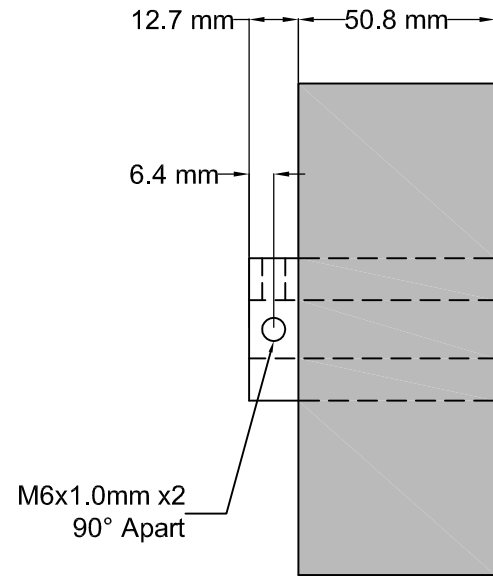
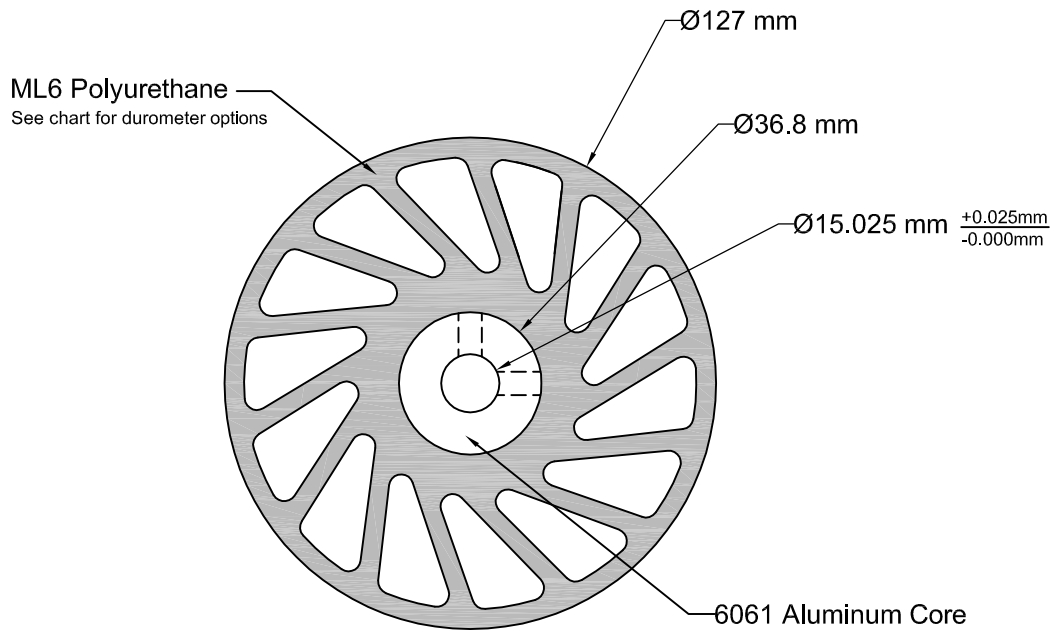


| REVISIONS | | | |
|-----------|-------------|------|----------|
| LTR | DESCRIPTION | DATE | APPROVED |
| | | | |



| Durometer Options | |
|--|-------------------------|
| Replace XXX in Part Number with 3 letter durometer code from options below. | |
| 40A = 40 SHORE A | 80A = 80 SHORE A |
| 55A = 55 SHORE A | 90A = 90 SHORE A |
| 70A = 70 SHORE A | |



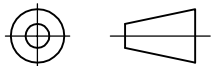
**MERIDIAN
LABORATORY**

2415 Pleasant View Rd. Middleton, WI 53562
(608) 836-7571 MeridianLab.com

UNLESS OTHERWISE SPECIFIED,
DIMENSIONS ARE IN INCHES AND
TOLERANCES ARE:

| FRACTIONS | DECIMALS | ANGLES |
|-----------|-------------------------------------|--------|
| ±1/16 | .X ± .1 .XX ± .01 .XXX ± .005 | ±1/2° |

PROJECTION



APPROVALS

DATE

DRAWN

AG

2/8/23

CHECKED

VRN

2/23/23

APPROVED

TITLE

127mm x 50.8mm ML6 NO-CRUSH WHEEL

PART NO.

NCWM-510-XXX

MATERIAL

6061 AL & ML6 PU OVERMOLD

SCALE 2:1

REV. -

SHEET 1 of 1

ML6 CUST. BLOCK

This drawing is proprietary to Meridian Laboratory Inc. and may not be copied, disclosed, or distributed without explicit written permission. Design subject to change without notice.