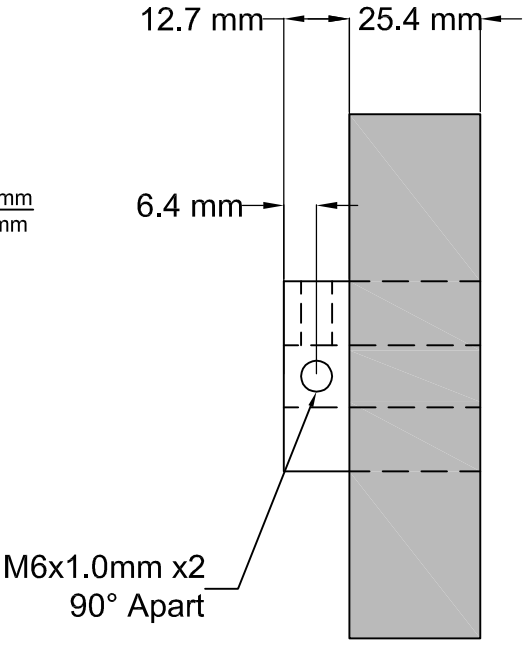
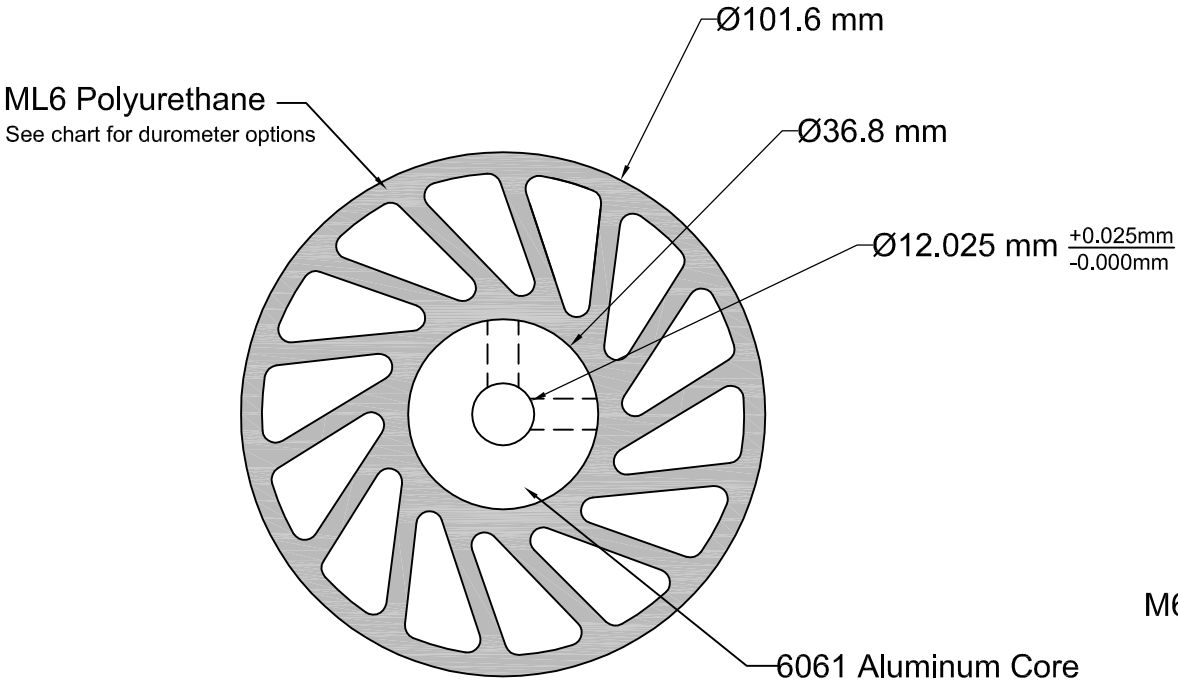


REVISIONS			
LTR	DESCRIPTION	DATE	APPROVED



Durometer Options	
Replace XXX in Part Number with 3 letter durometer code from options below.	
40A = 40 SHORE A	80A = 80 SHORE A
55A = 55 SHORE A	90A = 90 SHORE A
70A = 70 SHORE A	

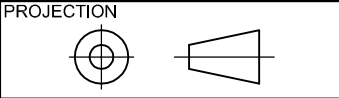


2415 Pleasant View Rd. Middleton, WI 53562
(608) 836-7571 MeridianLab.com

This drawing is proprietary to Meridian Laboratory Inc. and may not be copied, disclosed, or distributed without explicit written permission. Design subject to change without notice.

UNLESS OTHERWISE SPECIFIED,
DIMENSIONS ARE IN INCHES AND
TOLERANCES ARE:

<u>FRACTIONS</u>	<u>DECIMALS</u>	<u>ANGLES</u>
±1/16	.X ± .1 .XX ± .01 .XXX ± .005	±1/2°



APPROVALS	DATE
DRAWN AG	2/8/23
CHECKED VRN	2/23/23
APPROVED	

TITLE	101.6mm x 25.4mm ML6 NO-CRUSH WHEEL		
PART NO.	NCWM-350-XXX		
MATERIAL	6061 AL & ML6 PU OVERMOLD		
SCALE	3:2	REV.	-
SHEET	1 of 1	ML6 CUST. BLOCK	